



B-TECH AV MOUNTS

**BT4002-SPC
 BT4002-SCC
 BT4002-TPC
 BT4002-TCC**

**FLOOR BASE
 COVER PLATES**

**HIDE GRAB
 HANDLES AND
 FIXING POINTS**



The BT4002 cover plates are designed to hide unused fixing holes and handles on the BT4000, BT4001 and BT4002 floor bases. A specific cover plate is available for each variation of floor base from single pole / column to twin pole / column stands. Choose the correct cover plate for your floor base according to the installation requirement - check the compatibility table below.

SPECIFICATION

Material depth:	1mm
Dimensions	W: 510 x D: 233.5mm

FEATURES

- Designed to hide unused fixing holes and handles
- For use with BT4116 and BT4118 poles or BT8381 vertical support columns
- 4 variants each designed to cover a specific installation:
 BT4002-SPC for use when installing a single pole to a base
 BT4002-SCC for use when installing a single column to a base
 BT4002-TPC for use when installing twin poles to a base
 BT4002-TCC for use when installing twin columns to a base
- Designed for use with B-Tech's BT4000*, BT4001 and BT4002 bases
- Supplied with double sided adhesive tape to fix the cover plates

**Please note: BT4000 floor base is suitable for fitting a single pole only.
 BT4001 floor base is suitable for fitting a single pole or column only.*

CHOOSE THE COVER PLATE TO SUIT YOUR INSTALLATION

Floor Base	What verticals are you fitting to the base?			
	SINGLE POLE	SINGLE COLUMN	TWIN POLES	TWIN COLUMNS
BT4000	BT4002-SPC	X	X	X
BT4001	BT4002-SPC	BT4002-SCC	X	X
BT4002	BT4002-SPC	BT4002-SCC	BT4002-TPC	BT4002-TCC



Designed to hide unused fixings and grab handles for a clean finish



Supplied with self adhesive strips to secure the plate to the floor base

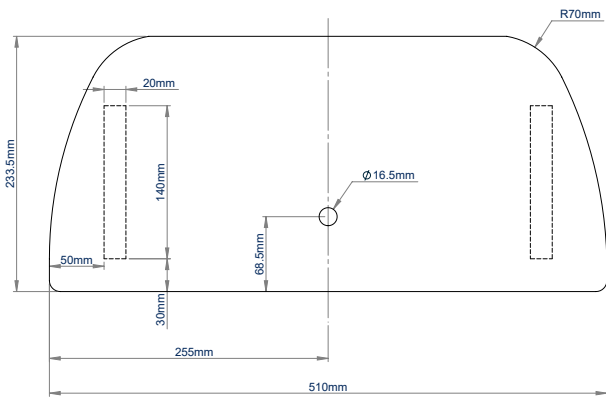


Available for single pole or column mounting solutions

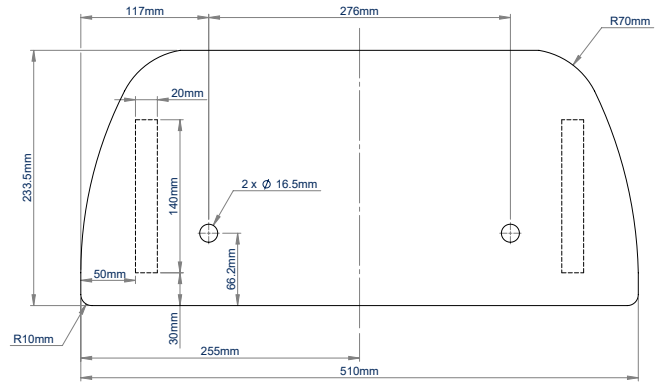


Also available for twin poles or twin column mounting solutions

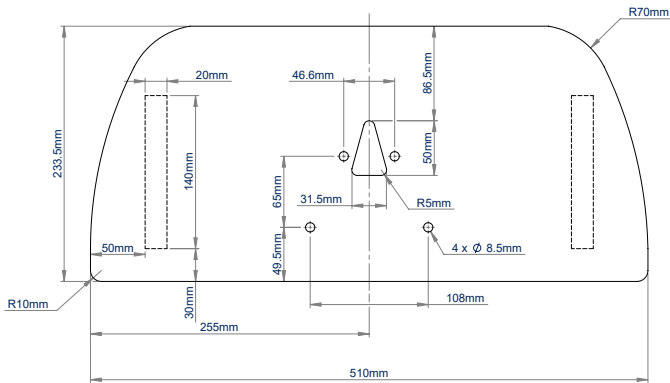




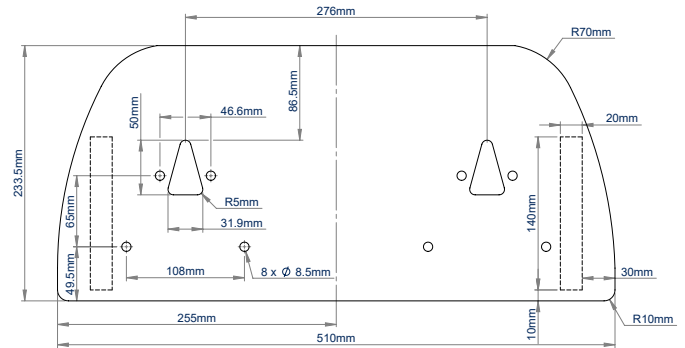
BT4002-SPC
TOP VIEW



BT4002-TPC
TOP VIEW



BT4002-SCC
TOP VIEW



BT4002-TCC
TOP VIEW



SIDE VIEW

PACKING INFORMATION

COLOUR:	ORDER REF:	EAN CODE:	MASTER CARTON QTY:	INNER CARTON QTY:	MASTER CARTON WEIGHT:	MASTER CARTON CUBE:
Black	BT4002-SPC/B	5019318305122	1	10	9.2KG	0.010CBM
Black	BT4002-SCC/B	5019318305115	1	10	9.2KG	0.010CBM
Black	BT4002-TPC/B	5019318305139	1	10	9.2KG	0.010CBM
Black	BT4002-TCC/B	5019318305146	1	10	9.2KG	0.010CBM

RELATED PRODUCTS

BT4000

BT4001

BT4002

BT4116 / BT4118 / BT8381

Small Floor Base for use with a single BT4116 or BT4118 pole. Compatible with BT4002-SPC cover plate.

Medium Floor Base for use with a single BT4116, BT4118 pole or BT8381 column. Compatible with BT4002-SPC and BT4002-SCC cover plates.

Large Floor Base for use with single or twin BT4116, BT4118 poles or BT8381 vertical columns. Compatible with all cover plates.

Floor Stand Poles & Vertical Columns Ø50mm poles available in 1.6m & 1.8m lengths and vertical columns available in 1.8m lengths.

© 2017 B-Tech Mounts Professional. All rights reserved. B-Tech Mounts Professional is a registered trademark of B-Tech Mounts Professional. All other trademarks are the property of their respective owners. B-Tech Mounts Professional is not responsible for any damage caused by improper installation or use of the product. B-Tech Mounts Professional is not responsible for any damage caused by improper installation or use of the product. B-Tech Mounts Professional is not responsible for any damage caused by improper installation or use of the product. B-Tech Mounts Professional is not responsible for any damage caused by improper installation or use of the product.